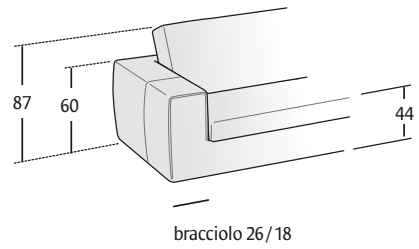
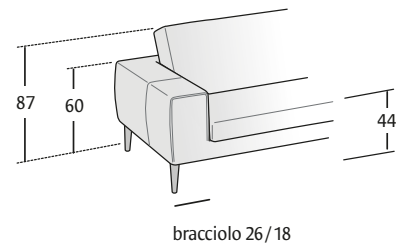


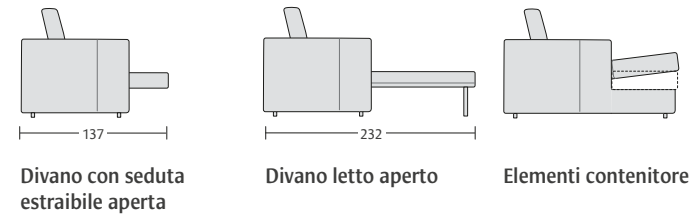
PEPPY



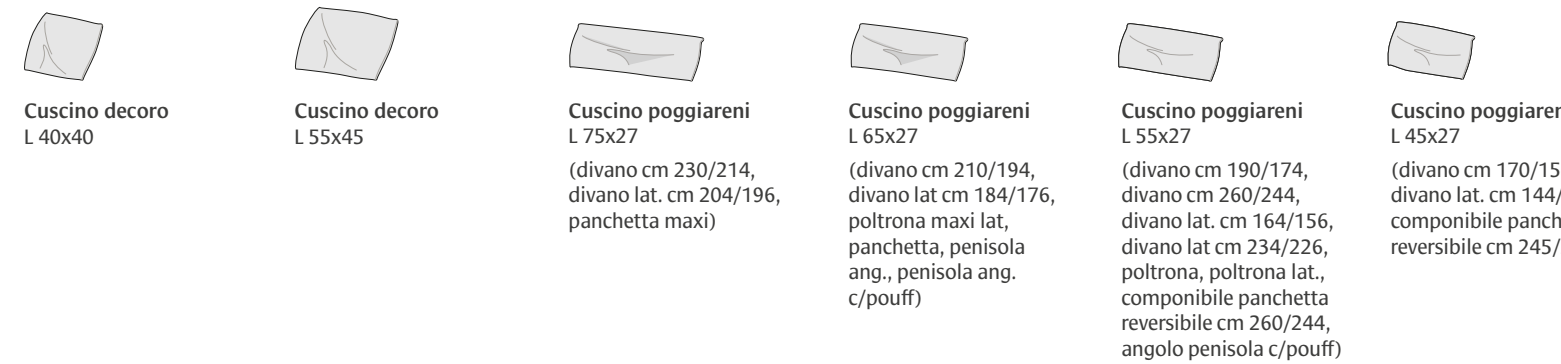
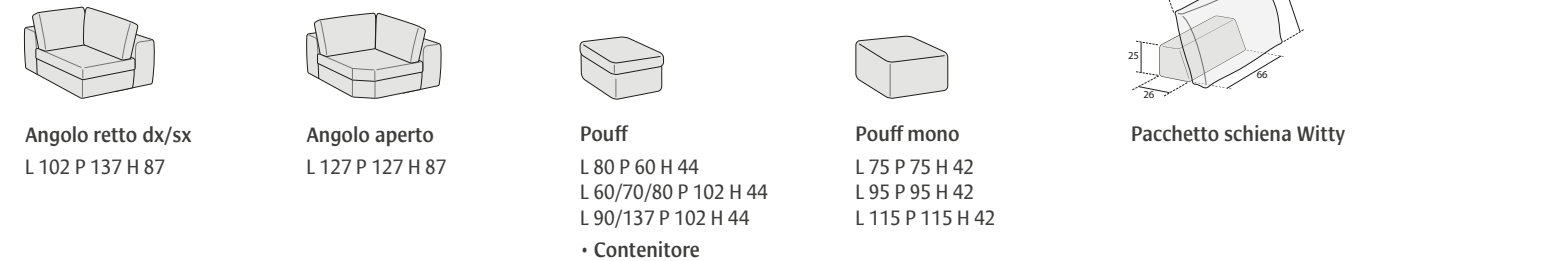
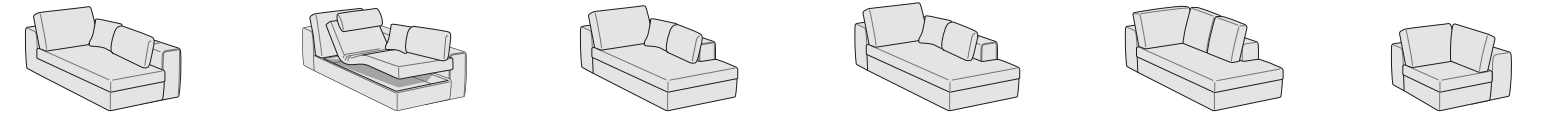
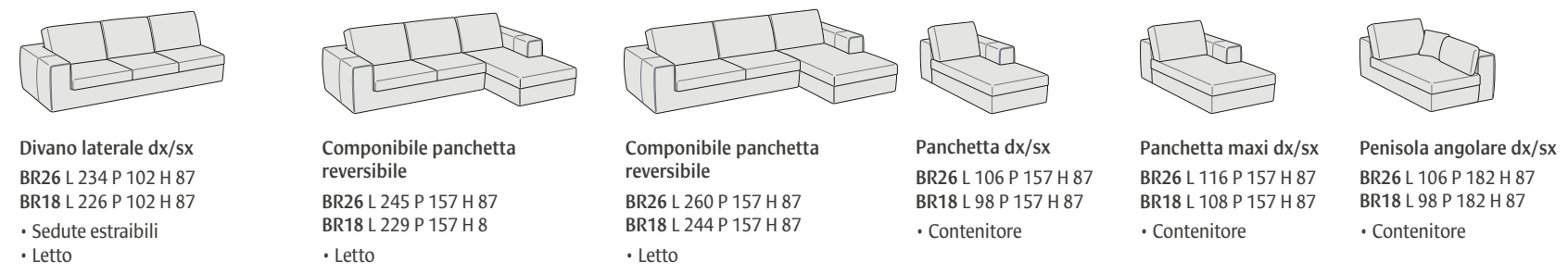
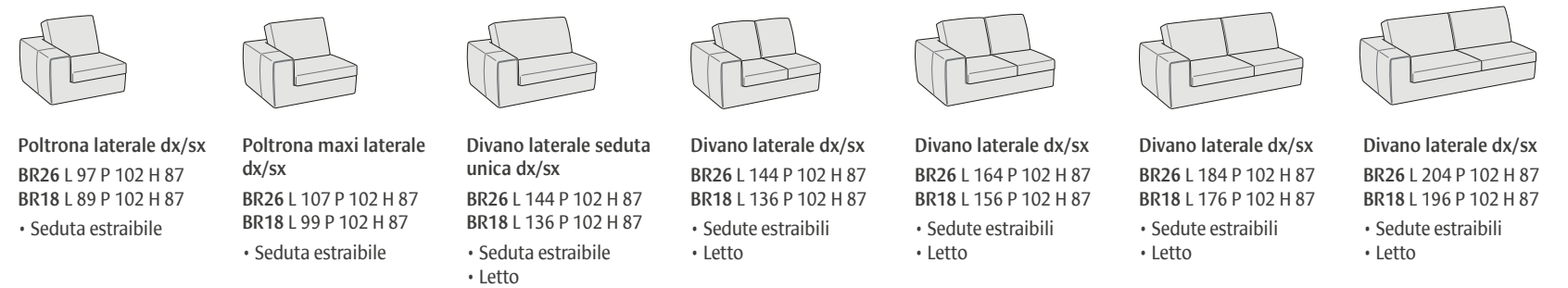
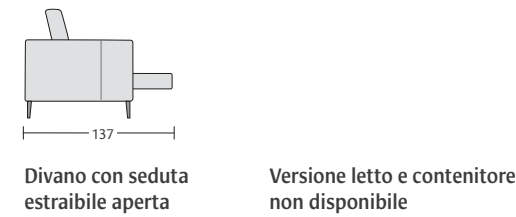
PEPPY SPECIAL



Possibilità • Possibility



Possibilità • Possibility



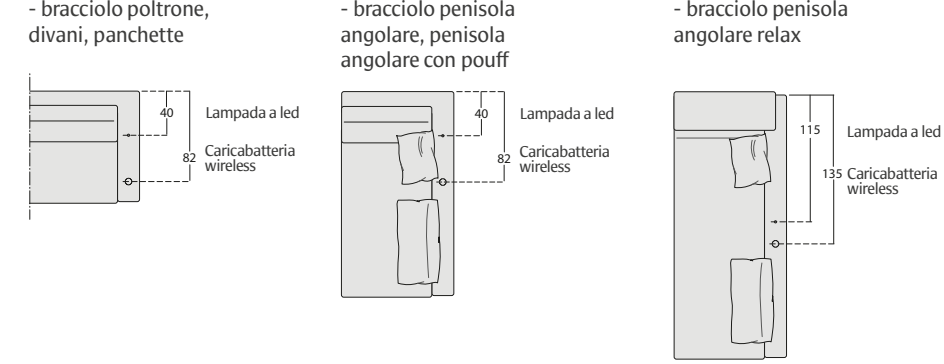
COMPLEMENTI: LAMPADA A LED, CARICABATTERIA WIRELESS, ACCESSORIO POP

Lampada a Led touch, pieghevole e facilmente rimovibile
Touch led lamp, foldable and easily pull-out

Caricabatteria Wireless posizionato sotto il rivestimento, per dispositivi idonei
Wireless charger under the cover, for suitable devices



Posizione lampada a led e caricabatteria wireless su:



PEPPY



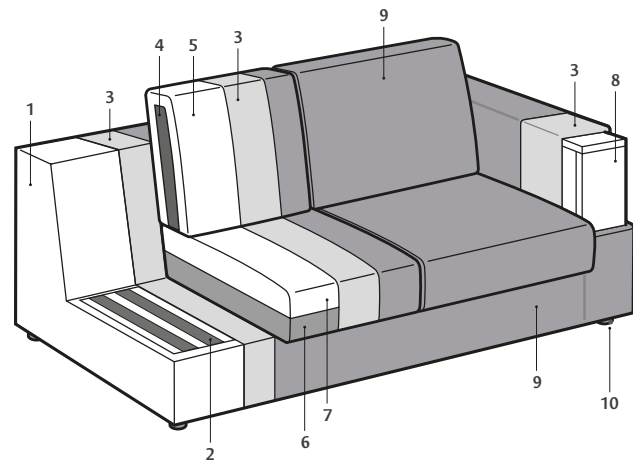
Piede in ABS effetto sospeso di serie.
Foot in ABS with suspended effect as standard.



Piede in legno Brick colore beige o nero optional.
Optional beige or black finish wooden Brick foot.

Piede in metallo Base finitura cromo o manganese optional.
Chrome or manganese finish metal Base foot optional.

Piede in metallo Line finitura cromo o manganese optional.
Chrome or manganese finish metal Line foot optional.



1. Struttura in legno stagionato e agglomerato • Frame in seasoned wood and agglomerated wood.
 2. Molleggio seduta nastri elastici in fibra propilenica e lattice da 80 mm tesi meccanicamente • Seat sprung in mechanically-tensioned 80-mm propylene fibre and latex webbing.
 3. Rivestimento in ovatta di poliestere gr 300 • Covered in 300 gr polyester wadding.
 4. Inserto in legno stagionato dello schienale • Backrest insert in seasoned wood.
 5. Cuscino schienale in poliuretano espanso indeformabile D 18 • Back cushion in non-deformable D 18 polyurethane foam.
 6. Cuscino seduta in poliuretano espanso indeformabile D 32 • Seat cushion in non-deforming D 32 polyurethane foam.
 7. Bombatura seduta in poliuretano espanso indeformabile D 28 • Seat upholstery in non-deforming D 28 polyurethane foam.
 8. Imbottitura bracciolo in poliuretano espanso indeformabile D40 • Armrest padding in non-deformable D40 polyurethane foam.
 9. Rivestimento in tessuto, pelle o ecopelle • Covered in fabric, leather or eco leather.
 10. PIEDE DI SERIE • STANDARD FOOT
 - Piede in ABS effetto sospeso • Foot in ABS with suspended effect.
- PIEDI OPTIONAL • OPTIONAL FOOT
- Piede in legno Brick colore beige o nero • Beige or black wooden Brick foot.
 - Piede in metallo Base e Line finitura cromo o manganese • Chrome or manganese finish metal Base and Line foot.

PEPPY SPECIAL



Piede in metallo Link finitura nichel nero di serie, finitura cromo optional.
Standard black nickel finish metal Link foot, chrome finish optional.



Piede in metallo Model finitura cromo o manganese optional.
Optional chrome or manganese finish metal Model foot.

Piede in metallo Zed finitura cromo o manganese optional.
Optional chrome or manganese finish metal Zed foot.

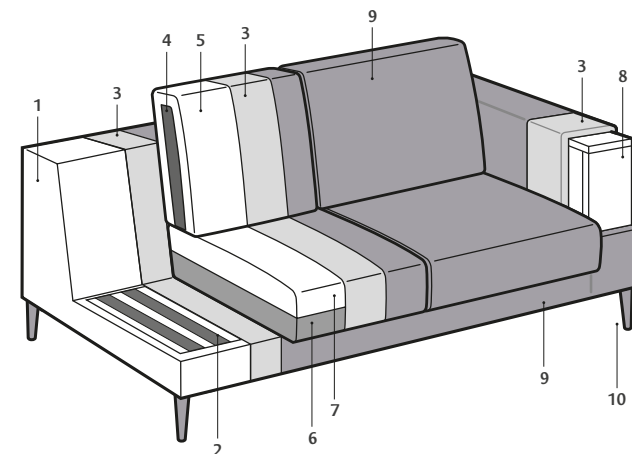
Piede in metallo Abby finitura cromo o manganese optional.
Optional chrome or manganese finish metal Abby foot.

Piede in metallo Split finitura cromo o manganese optional.
Optional chrome or manganese finish metal Split foot.

Piede in metallo Sky finitura cromo o manganese optional.
Optional chrome or manganese finish metal Sky foot.

Piede in metallo Cross finitura cromo o manganese optional.
Optional chrome or manganese finish metal Cross foot.

Piede in metallo Frame finitura grigio o manganese optional.
Optional grey or manganese finish metal Frame foot.



1. Struttura in legno stagionato e agglomerato • Frame in seasoned wood and agglomerated wood.
 2. Molleggio seduta nastri elastici in fibra propilenica e lattice da 80 mm tesi meccanicamente • Seat sprung in mechanically-tensioned 80-mm propylene fibre and latex webbing.
 3. Rivestimento in ovatta di poliestere gr 300 • Covered in 300 gr polyester wadding.
 4. Inserto in legno stagionato dello schienale • Backrest insert in seasoned wood.
 5. Cuscino schienale in poliuretano espanso indeformabile D 18 • Back cushion in non-deformable D 18 polyurethane foam.
 6. Cuscino seduta in poliuretano espanso indeformabile D 32 • Seat cushion in non-deforming D 32 polyurethane foam.
 7. Bombatura seduta in poliuretano espanso indeformabile D 28 • Seat upholstery in non-deforming D 28 polyurethane foam.
 8. Imbottitura bracciolo in poliuretano espanso indeformabile D40 • Armrest padding in non-deformable D40 polyurethane foam.
 9. Rivestimento in tessuto, pelle o ecopelle • Covered in fabric, leather or eco leather.
 10. PIEDE DI SERIE • STANDARD FOOT
 - Piede in metallo Link finitura nichel nero • Black nickel finish metal Link foot.
- PIEDI OPTIONAL • OPTIONAL FOOT
- Piede in metallo Link finitura cromo • Chrome finish metal Link foot.
 - Piede in metallo Model, Zed, Abby, Split, Sky, Cross finitura cromo o manganese • Chrome or manganese finish metal Model, Zed, Abby, Split, Sky, Cross foot.
 - Piede in metallo Frame finitura grigio o manganese • Grey or manganese finish metal Frame foot.